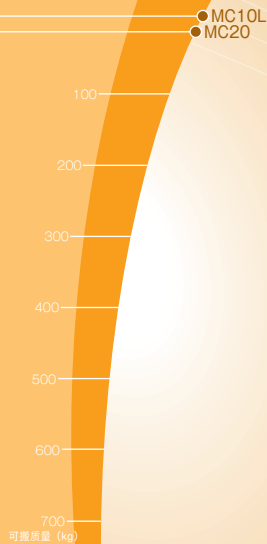


“强力&紧凑型” 多功能机器人

“Powerful & Compact” Robot for various manufacturing processes.

MC20/MC10L



可灵活处理各式各样的工序

- 加大了动作范围、实现了较高的防水防尘功能。
可对应客户各种各样的作业环境。

紧凑型机身·强力型手臂

- 安装宽度仅仅280mm、等级最小。
强力型手腕可自由自在地搬运各种各样的工件。

Suitable for various purpose.

- Wide envelope and environment protection makes MC20 valuable robot for various kind of manufacturing processes.

Compact design

- Easy installation by compact design, and powerful wrist supports to transfer large or heavy works.

MC20/MC10L

◆ 本体规格

Robot specifications

项目	Item	规格 Specifications	
机器人类型	Robot model	MC20-01	MC10L-01
结构	Construction	关节形 Articulated construction	
自由度	Number of axes	6	
驱动方式	Drive system	AC伺服方式 AC servo system	
最大动作范围 Max. operating area	J1	$\pm 3.14\text{rad}$ ($\pm 180^\circ$)	
	J2	$+1.05 \sim -2.53\text{rad}$ ($+60 \sim -145^\circ$)	
	J3	$+4.22 \sim -2.84\text{rad}$ ($+242 \sim -163^\circ$)	
	J4	$\pm 3.14\text{rad}$ ($\pm 180^\circ$)	
	J5	$\pm 2.42\text{rad}$ ($\pm 139^\circ$)	
	J6	$\pm 6.28\text{rad}$ ($\pm 360^\circ$)	
最大速度 Max. speed	J1	2.96rad/s (170°/s)	2.62rad/s (150°/s)
	J2	2.96rad/s (170°/s)	
	J3	2.96rad/s (170°/s)	
	J4	6.28rad/s (360°/s)	
	J5	6.28rad/s (360°/s)	
	J6	10.5rad/s (600°/s)	
可搬重量*1	Payload*1	20kg (最大22kg) 20kg(Max. 22kg)	10kg
手腕扭矩 Wrist torque	J4	49N·m	24.5N·m
	J5	49N·m	24.5N·m
	J6	23.5N·m	12N·m
手腕惯性力矩*2 Wrist moment of inertia*2	J4	1.6kg·m ²	
	J5	1.6kg·m ²	
	J6	0.8kg·m ²	0.7kg·m ²
位置重复精度*3	Position repeat accuracy*3	$\pm 0.06\text{mm}$	
最高使用空气压力	Maximum working air pressure	0.49MPa (5.0kgf/cm ²) 以下 0.49MPa (5.0kgf/cm ²) or less	
周围温度	Ambient temperature	0~45°C	
设置条件	Installation	地面安装、悬吊安装 Floor mounted·Ceiling mounted	
耐环境性*4	Environmental resistance*4	相当于IP65 (防尘防滴) Meets the IP65 standard (for dust and waterproofing)	
本体重量	Robot mass	220kg	225kg

1[rad] = 180/π[°], 1[N·m] = 1/9.8[kgf·m]

*1: 安装场所因手腕负荷质量变化。

*2: 手腕允许瞬间惯性。手腕负荷因情况而异, 请注意。

*3: 以 JIS B8432 处为基准。

*4: 有机溶剂、酸类、碱类、盐类、汽油类切削液等, 让密封材料劣化的液体不可使用。

*1: This value varies from the installed position and the wrist load mass.

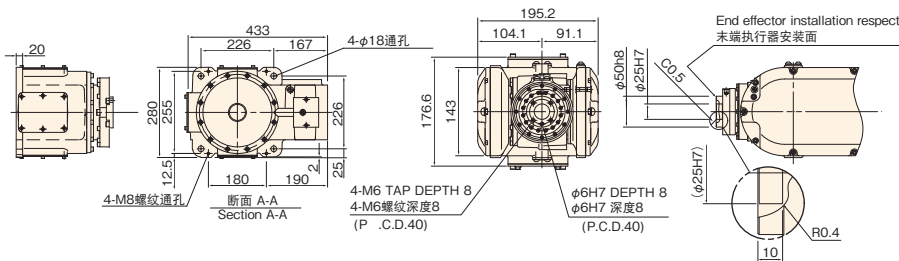
*2: Note that wrist moment of inertia varies depending on wrist load conditions.

*3: JIS B 8432 compliant.

*4: Fluids that corrode the seal material, such as organic solvents, acids, alkalis, salts, and petroleum-based cutting fluids, cannot be used.

通用

Common Specification



●本产品的额定功率、规格、外部尺寸等如需改良而变更, 恕不另行通告。

●如果本产品的最后使用者与军事相关, 或用于兵器等的制造, 可能成为“外汇及国际贸易管理法”规定的出口限制的对象。出口时, 请进行充分的审查和办理所需的出口手续。

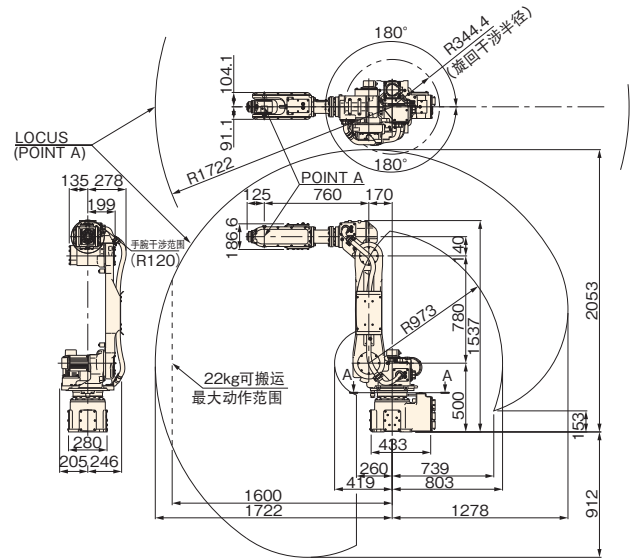
*The specifications are subject to changes without notice.

*In case that an end user uses this product for military purpose or production of weapon, this product may be liable for the subject of export restriction stipulated in the Foreign Exchange and Foreign Trade Control Law. Please go through careful investigation and necessary formalities for export.

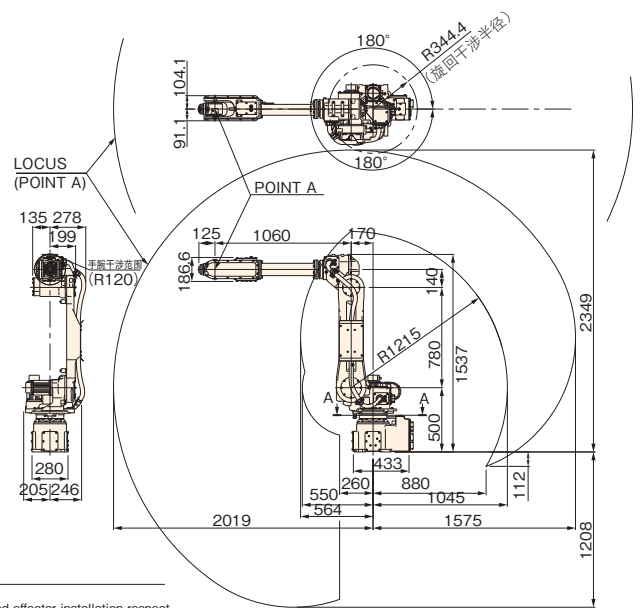
◆ 外形尺寸及动作范围

Exterior dimensions and operating envelope

MC20-01



MC10L-01



那智不二越(上海)贸易有限公司

上海市嘉定区马陆镇丰茂路258号易通工业园 邮编201801
电话: 021-6915-2200 传真: 021-6915-5427

NACHI-FUJIKOSHI CORP.

Tokyo Head Office

Shiodome Sumitomo Bldg. 17F 1-9-2 Higashi-shinbashi, Minato-ku, Tokyo 105-0021, JAPAN

Tel: +81-(0)3-5568-5245 Fax: +81-(0)3-5568-5236

Toyama Head Office

1-1-1 Fujikoshi-Honmachi, Toyama 930-8511, JAPAN

Tel: +81-(0)76-423-5111 Fax: +81-(0)76-493-5211

CATALOG NO.

R7305C-3

2011.11.V-ABE-ABE